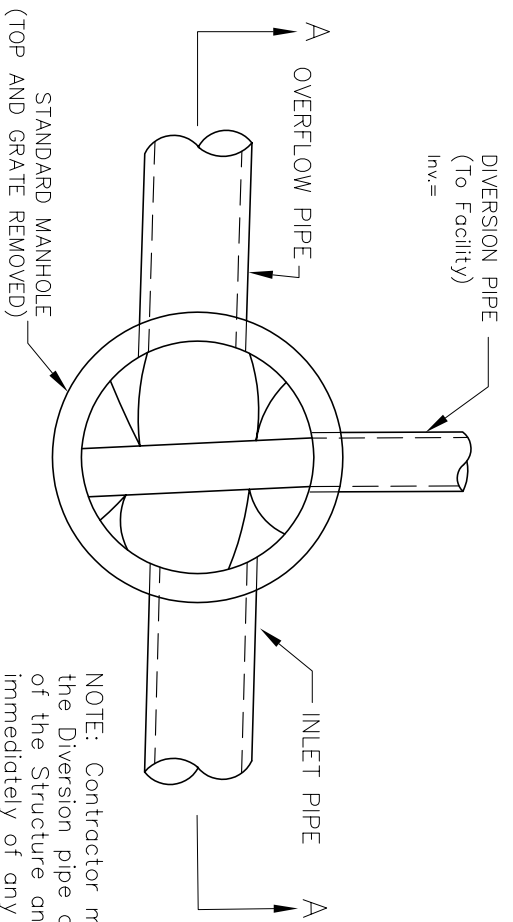




**MONTGOMERY COUNTY  
DEPARTMENT OF PERMITTING  
SERVICES  
WATER RESOURCES**

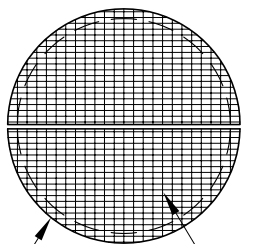
**DIVERSION STRUCTURE  
MANHOLE  
DETAIL**

**DATE:** 02/04  
**REVISION:**  
**SCALE:** NONE



**PLAN VIEW**

**NOTE:** Contractor must verify the dimensions between the Diversion pipe and the Overflow pipe prior to backfill the Structure and Notify the Design Engineer immediately of any discrepancy with the dimensions on the approved plans. Structures built incorrectly will require removal and replacement.



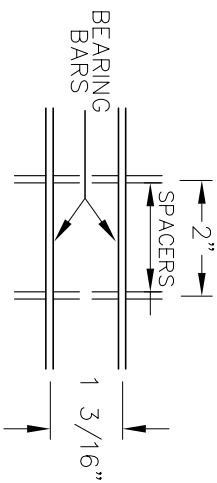
**ALUMINUM GRATING  
2 SECTIONS**

**SHELF ANGLE IN TWO SECTIONS  
BOLT SHELF ANGLE TO MH AT 24" O/C  
AND 3 1/2" FROM ENDS (MAX.)**

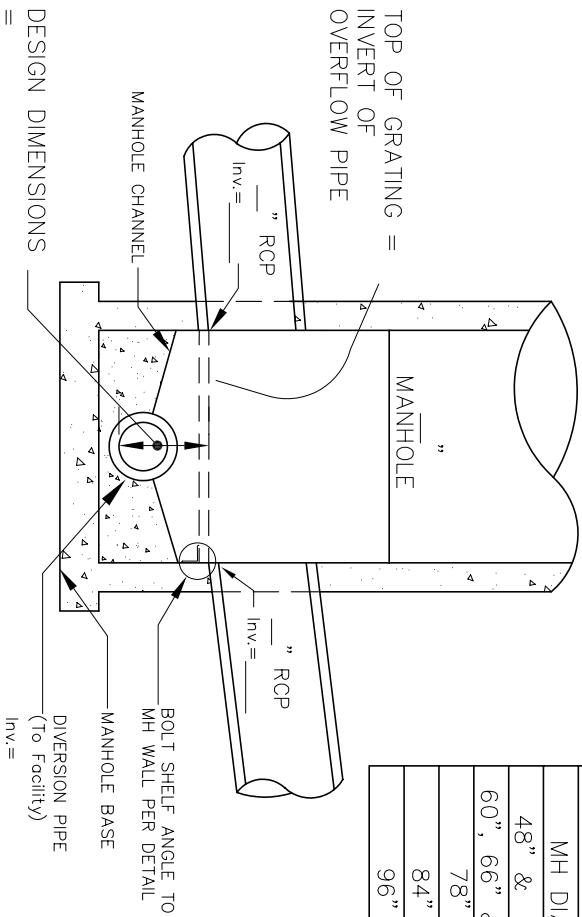
**GRATING PLAN**

GRATING SCHEDULE	MH DIA.	BEARING BAR
	48" & 54"	1 1/4" X 1/8"
	60", 66" & 72"	1 1/4" X 3/16"
	78"	1 1/2" X 3/16"
	84"	1 3/4" X 3/16"
	96"	2" X 3/16"

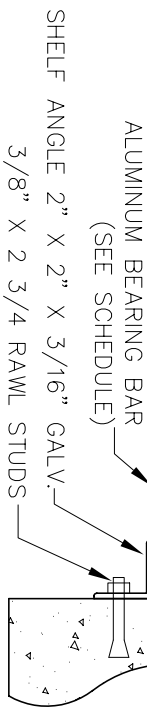
**GRATING DETAIL**



**TOP OF GRATING =  
INVERT OF  
OVERFLOW PIPE**



**SECTION A-A**



**BOLTING DETAIL**

**NOTE:** FASTEN GRATING TO SHELF ANGLE WITH GALVANIZED BOLTS AND STANDARD RETAINER CLIPS.

**NOTE:** See Storm Drain And Stormwater Profiles Details and Schedules For Add'l. Information About Pipe Sizes, Manhole Diameters, Inverts, Etc.