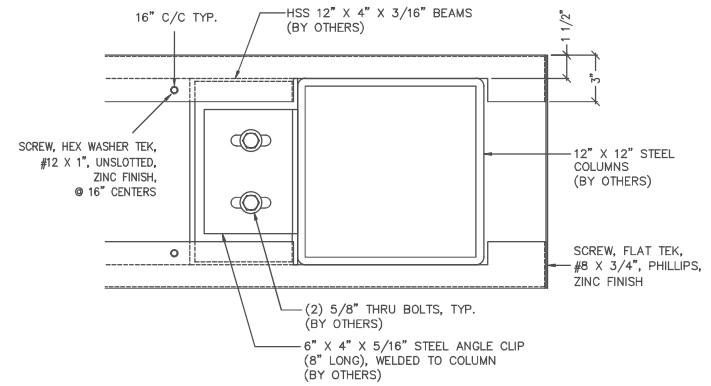
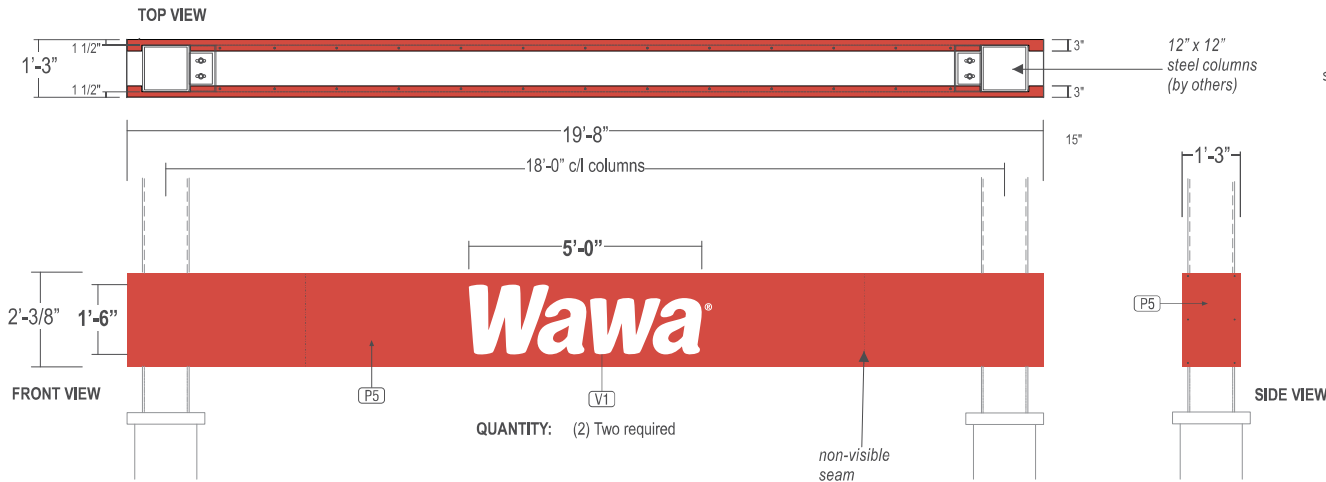


CANOPY SIGNAGE: Non-Illuminated Pump Spanner - Stacked Pumps

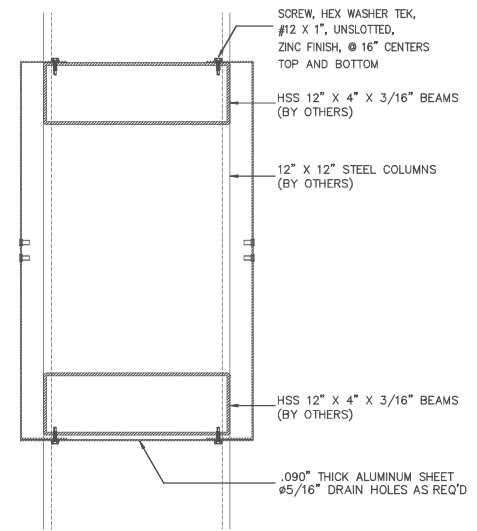
2'-3/8" x 19'-8"

Scale: 3/8"=1'-0"

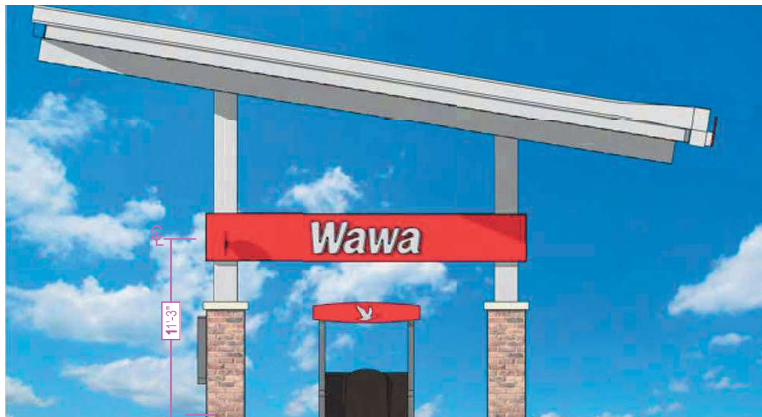
7.5 square feet of copy



DETAIL @ TOP VIEW
SCALE: 1/2"=1'-0"



SECTION @ SPANNER SIGN
SCALE: 1/2"=1'-0"



CANOPY ELEVATION (STACKED PUMPS)

not to scale

COLOR PALETTE

BACKER: P5
Pantone 186 C Red

COPY: V1
3M 7725-10 White

All paint finishes to be satin unless otherwise noted

AREA/WEIGHT

SIGN SQUARE FOOTAGE: 39.3 sq. ft.

ESTIMATED SIGN WEIGHT: 170 Lb. (HEADER)

TOLERANCE: ± 1/16" ON ALL DIMENSIONS

DESIGN LOADS:
170 MPH WIND LOAD
RISK CATEGORY II, EXPOSURE C.
FLORIDA BUILDING CODE 6TH EDITION (2017)

2023 UNIVERSAL SIGN FAMILY

StratusTM

stratusunlimited.com

8959 Tyler Boulevard
Mentor, Ohio 44060

888.503.1569

CLIENT: **Wawa**

ADDRESS: 2023 Universal Sign Family

PAGE NO.: **49**

ORDER NUMBER: 000000

PROJECT NUMBER: n/a

SITE NUMBER: n/a

PROJECT MANAGER: PHIL LUBIN

ELECTRONIC FILE NAME: K:\ACCOUNTS\Wawa\SIGN STANDARDS\2023 Mid Atlantic Sign Family - DO NOT USE\Wawa_2023 Universal Sign Family R1.cdr

Rev #	Req #	Date/Artist	Description	Rev #	Req #	Date/Artist	Description
Original	420883	5/11/23 Vlv					
Rev 1	435923	06/29/23 KW	Corrected PMS 188 C Red				

PRINTS ARE THE EXCLUSIVE PROPERTY OF STRATUS. THIS MATERIAL SHALL NOT BE USED, DUPLICATED, OR OTHERWISE REPRODUCED WITHOUT THE PRIOR WRITTEN CONSENT OF STRATUS.