

FACE OF ALPHA SECTOR FRAME AZ. = 0°
 FACE OF BETA SECTOR FRAME AZ. = 120°
 FACE OF GAMMA SECTOR FRAME AZ. = 240°

VZW - MOUNT CLASSIFICATION	
MT400R-(4/6)	MT150R-(4/6)
DATE ANALYZED: 01/20/2017 BY ISSUE GROUP	
APPLICABLE STANDARD: NSTD-443	
APPLICABLE LOCATION: VZW - TCS BARNESVILLE SITE	
APPLICABLE CONSTRUCTION MODIFICATION DRAWING DATE: N/A	

NOTE: UPON COMPLETION OF THE INSTALLATION AND OR MODIFICATIONS AS CALLED FOR ON THESE DRAWINGS, THE CONTRACTOR SHALL ACQUIRE A METAL TAG CONTAINING THE ABOVE INFORMATION. THE METAL TAG SHALL BE SECURELY ATTACHED TO THE MOUNTED MOUNT.

ANTENNA MOUNTING LAYOUT
 SCALE: 3/4"=1'-0"

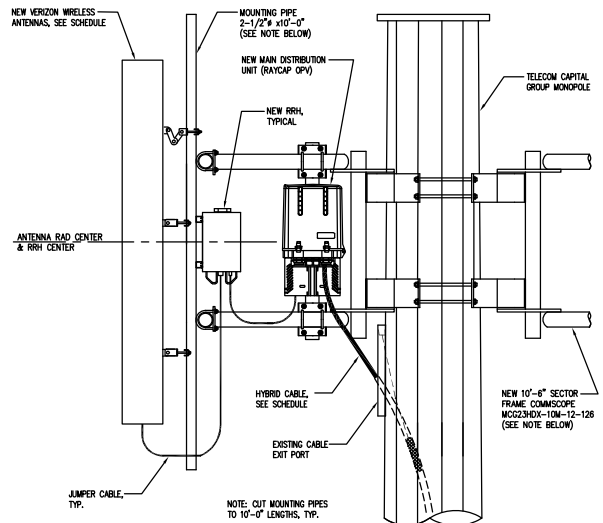


ANTENNA AND CABLE SCHEDULE									
ANTENNA SECTOR	ANTENNA MARK	RAD CENTER	ANTENNA	MECHANICAL DOWN-TILT	AZIMUTH	CABLE LENGTH	COAXIAL CABLE SIZE	COLOR CODE	FREQUENCY
ALPHA	#1	-	-	-	-	-	-	-	-
	#2	136'-0"	MX06FR0860-02 (95.9" H x 15.4" W x 10.7" D)	SEE NOTE 6	0°	200'	(1) 12X4 HYBRID	6/8/G 0/R/O	700 MHz 850 MHz 1900 MHz
	#3	136'-0"	MX06FR0860-02 (95.9" H x 15.4" W x 10.7" D)	-	0°	-	SHARED HYBRID CABLE	6/48/G R/R/Br	700 MHz 850 MHz 1900 MHz
	#4	-	-	-	-	-	-	-	-
BETA	#5	-	-	-	-	-	-	-	-
	#6	136'-0"	MX06FR0860-02 (95.9" H x 15.4" W x 10.7" D)	-	120°	-	SHARED HYBRID CABLE	6/8/G 0/R/O	700 MHz 850 MHz 1900 MHz
	#7	136'-0"	MX06FR0860-02 (95.9" H x 15.4" W x 10.7" D)	-	120°	-	SHARED HYBRID CABLE	6/48/G R/R/Br	700 MHz 850 MHz 1900 MHz
	#8	-	-	-	-	-	-	-	-
GAMMA	#9	-	-	-	-	-	-	-	-
	#10	136'-0"	MX06FR0860-02 (95.9" H x 15.4" W x 10.7" D)	-	240°	-	SHARED HYBRID CABLE	6/8/G 0/R/O	700 MHz 850 MHz 1900 MHz
	#11	136'-0"	MX06FR0860-02 (95.9" H x 15.4" W x 10.7" D)	-	240°	-	SHARED HYBRID CABLE	6/48/G R/R/Br	700 MHz 850 MHz 1900 MHz
	#12	-	-	-	-	-	-	-	-
GPS	-	-	MAXRAD GPS-TAC-HR208MSLA (2) REQUIRED	-	-	-	1/2"	-	-

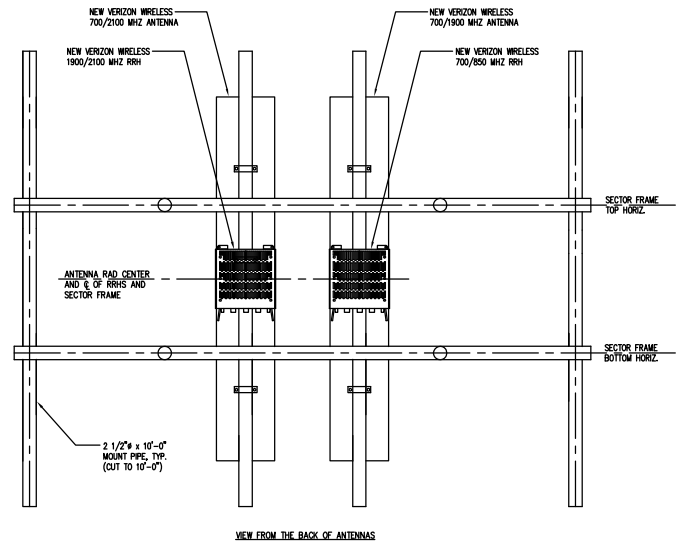
NOTES:

- ALL ANTENNAS SHALL BE FURNISHED WITH DOWNTILT BRACKETS. CONTRACTOR SHALL COORDINATE REQUIRED MECHANICAL DOWNTILT FOR EACH ANTENNA WITH RF ENGINEER. ANTENNA DOWNTILT SHALL BE SET AND WORKED BY A SKAFF LEVEL.
- ANTENNA CENTERLINE HEIGHT IS IN REFERENCE TO ELEVATION GUT.
- FINAL CABLE LENGTHS SHALL BE DETERMINED AFTER INSTALLATION.
- COORDINATE THE ANTENNA DOWNTILT WITH THE RF ENGINEER.
- THE CABLE LENGTHS SHOWN ARE THE ACTUAL COMPUTED LENGTHS WITH NO OVERAGE ALLOWANCE.
- REFER TO THE APS FOR THE ANTENNA DOWNTILT REQUIREMENTS.

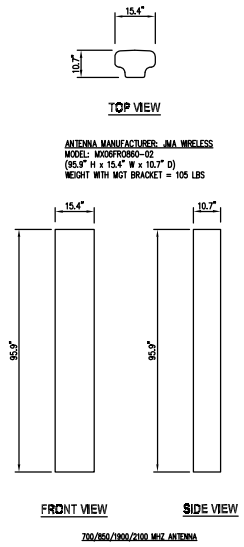
CABLE MINIMUM BEND RADIUS				
7/8" RF	1-1/4" RF	1-5/8" RF	2-1/4" RF	1.1" HYBRID/EX
10"	15"	20"	22"	10"



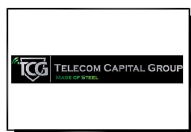
ANTENNA MOUNTING DETAIL
 SCALE: 1"=1'-0"



TYPICAL SECTOR RRH MOUNTING ELEVATION
 SCALE: 3/4"=1'-0"



ANTENNA DETAILS
 SCALE: N.T.S.



TCG BARNESVILLE SITE
 22900 OLD HUNDRED ROAD
 BARNESVILLE, MD 20838



SUBMITTALS		
DATE	DESCRIPTION	REV.
05-27-21	TOWER COMMITTEE REVIEW	
06-25-21	TOWER COMMITTEE REVIEW	
08-31-21	BOUNDARY LINE ADJUST.	

PROJECT NO: 1163.001
 DESIGNER: C.S.
 ENGINEER: M.M.

THESE DRAWINGS ARE FORMATTED TO BE FULL-SIZE AT 22"X34" SCALE AS SHOWN ON PLAN DETAIL

TITLE:
VZW ANTENNA SCHEDULE AND DETAILS

SHEET NUMBER:
Z-5